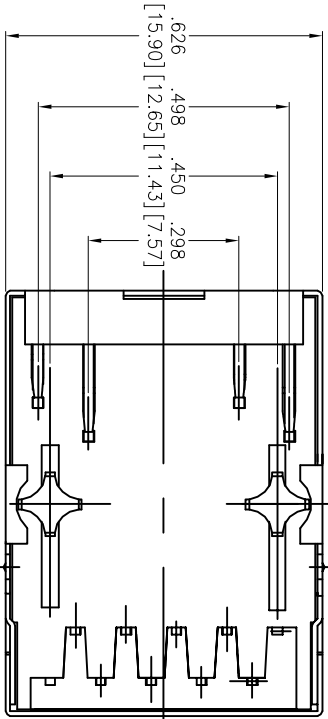
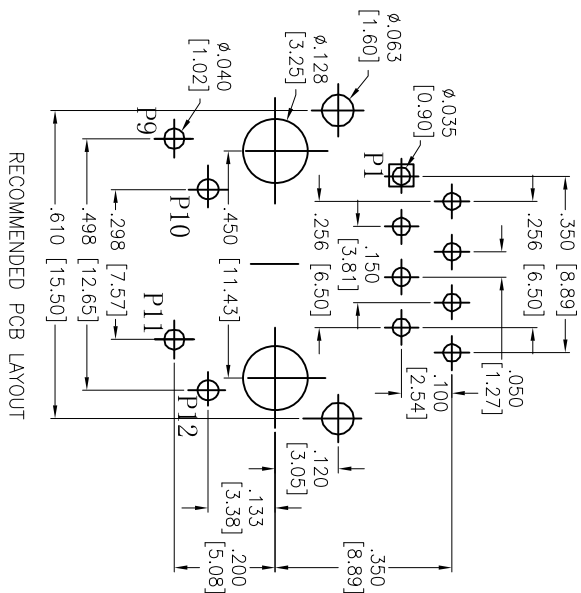
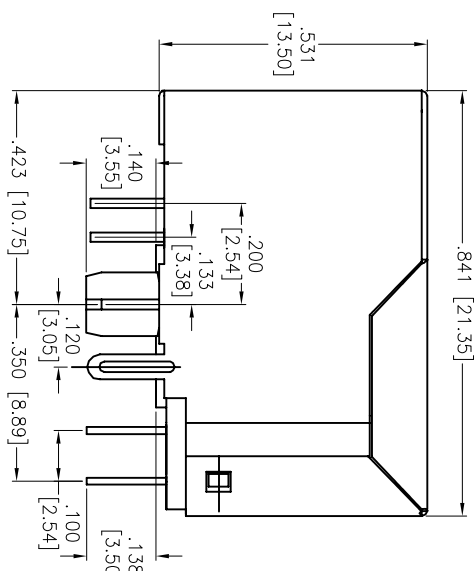
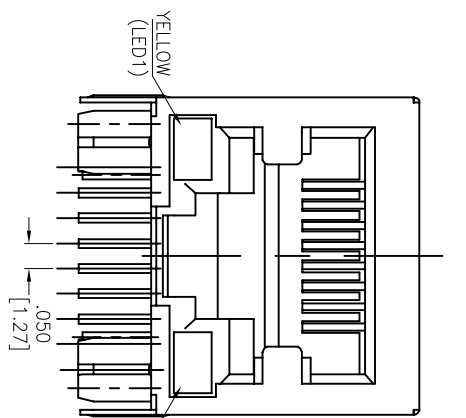


Rev	AWO #	Description	Date	Appr
-		RELEASED	04/05/12	

APPROVED: _____
 DATE: _____ TITLE: _____



X	PLATING
0	15 µm Gold
1	30 µm Gold
2	50 µm Gold

UNLESS OTHERWISE SPECIFIED
 ALL DIMENSIONS ARE IN INCHES [MM]
 TOLERANCES: EXCEPT AS NOTED
 INCHES HOLES
 .X ± .10 Ø.X ± .10
 .XX ± .020 Ø.XX ± .015
 .XXX ± .015 Ø.XXX ± .010

APPROVALS	DATE
DRAWN AY	5/22/12
CHECKED SC	5/22/12
APPROVED	

ADAM TECH

909 Railway Avenue, Union, NJ 07083
 Phone: 908-687-5000 Fax: 908-687-5710

TITLE: MODULAR JACK GANGED, 1 PORT, 8P8C
 FULL SHIELD, W/LED1 YELLOW, LED2 GREEN

SIZE	PART NO.	REV.
X	MTJ-887X1-FSD-D1LG-M168	-

SPECIFICATIONS:
 Material: Insulator: PBT, rated UL 94V-0
 Insulator color: Black
 Contacts: Copper Alloy
 Shield: Brass, Nickel plated
 Contact Plating:
 Gold Flash over Nickel underplate on contact area,
 Tin over Copper underplate on tails
 (See chart for thickness).
Electrical:
 Operating voltage: 150 VAC max
 Current rating: 1.5 Amps max
 Contact Resistance: 20 mohms max. initial
 Insulation resistance: 500 Mohms min @ 500 VDC
 Dielectric withstanding voltage: 500VAC for 1 minut
Temperature Rating:
 Operating temperature: 0°C to +70°C
Environmental:
 Lead free, RoHS compliant.

