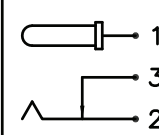
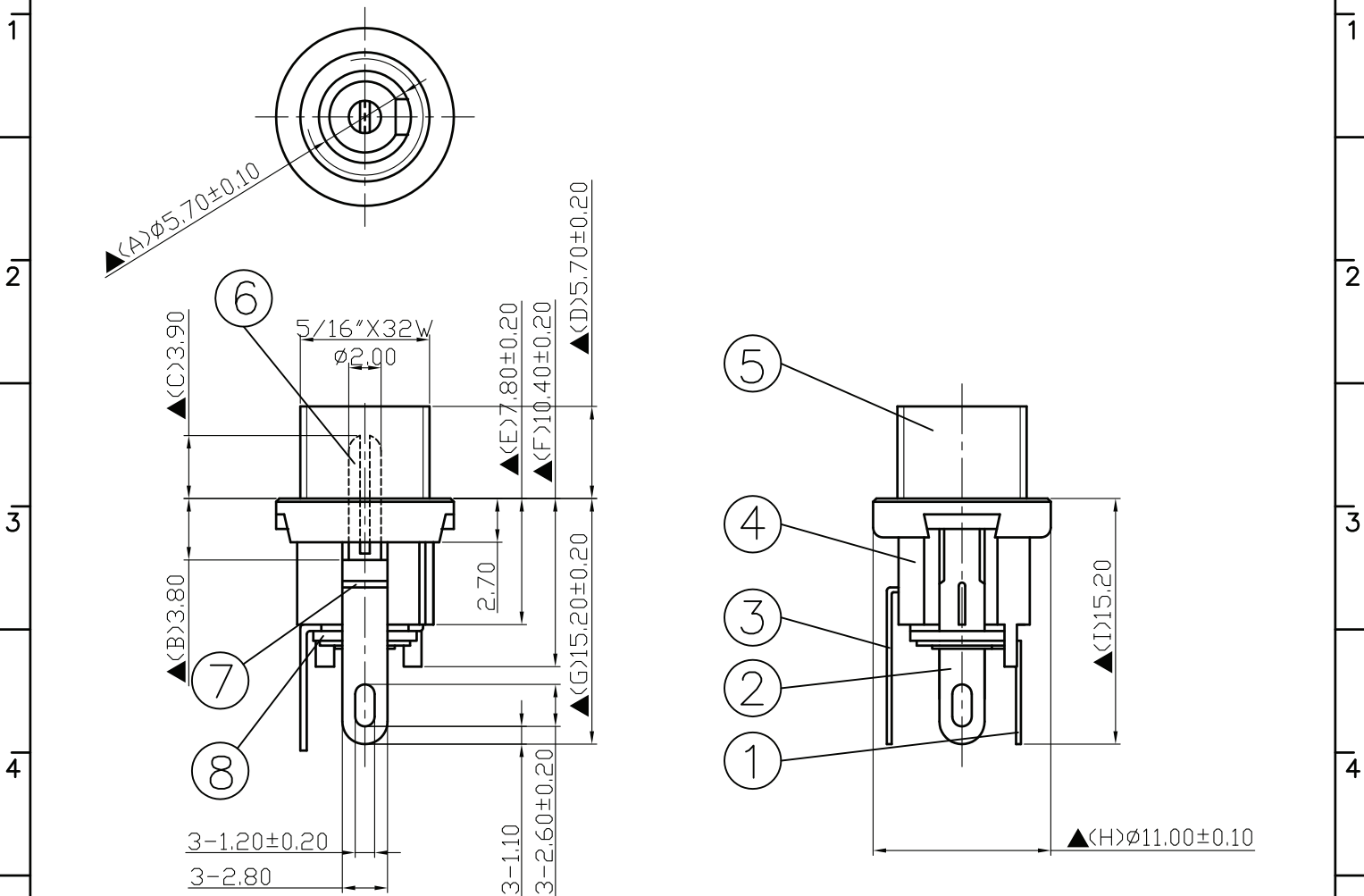


SCHEMATIC	
MODEL NO	C



8.	Insulator B	Red Vulcanited Fibre	1	Red Color
7.	Insulator A	Red Vulcanited Fibre	1	Red Color
6.	Pin(2.0ø)	Copper	1	Nickel Plated
5.	Bushing	Brass	1	Nickel Plated
4.	Housing	PBT	1	Black Color
3.	Break Terminal	0.3T Brass	1	Silver Plated
2.	Sleeve Spring	0.4T Phosphor Bronze	1	Silver Plated
1.	Pin Terminal	0.3T Brass	1	Silver Plated
NO.	Description	Material	Q'TY	Finish

**SPECIFICATIONS:**  
 Contact Resistance : 30mΩ max  
 Current Rating : Max 2.0A, 16VDC  
 Insulation Resistance : 100MΩ min. at DC 500V  
 Dielectric Withstand Voltage : AC 500V for one minute  
 Remark: ▲ : The Most Important Dimension

RoHS Compliant  
 For Reference  
 僅供參考

Tempero Systems

DATE	DWN	CHKD	APVD	MANAGER
01.21.2011				

PART NAME :DC POWER JACK PART NUMBER: TS-P002A VERSION:4.0

TOLERANCE :±0.3mm UNLESS OTHERWISE SPECIFIED UNIT:mm   SCALE:1/1