

**SPECIFICATION**

Contact Arrangement: SPST

Rating: 10A 125VAC, 6A 250VAC (UL, CSA); 4(1)A 250V- $\mu$ T85 (S, D, N, FI)

Contact Resistance: 20 milli-ohms max. @ initial

Insulation Resistance: 500 mega-ohms min. @ 500VDC

Dielectric Strength: 1,500VAC for 1 minute (terminal to terminal)

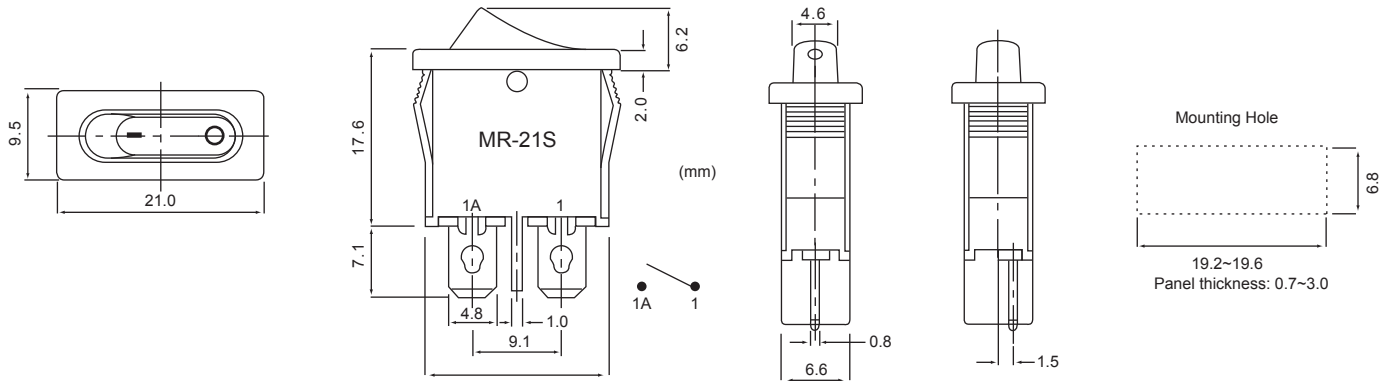
□ □ 3,000VAC for 1 minute (contact to terminal)

Electrical Life: Over 10,000 operations

Safety Standard Approval: NRTL/C (LR-77849-23), UL (E148157)

□ □ SEMKO (9924087/01), NEMKO (P99101192)

RoHS Compliant: yes



**PART NUMBERING FORMAT**

**MR-21S-** [Function] [Marking] [Housing Color] [Actuator Color] -F [Housing] *Ex: MR-21S-2BB-F2*

Function	Marking	Housing Color	Actuator Color	Housing
None: on-off	1: none	B:black	B: black	1: y=0
M: (on)-off	2: - o	H: gray	H: gray	2: y=7.1
(on) denotes momentary on	4: white dot		L: light gray	
	C: - $\ominus$		W: white	
	Z: $\ominus$		R: red	

