

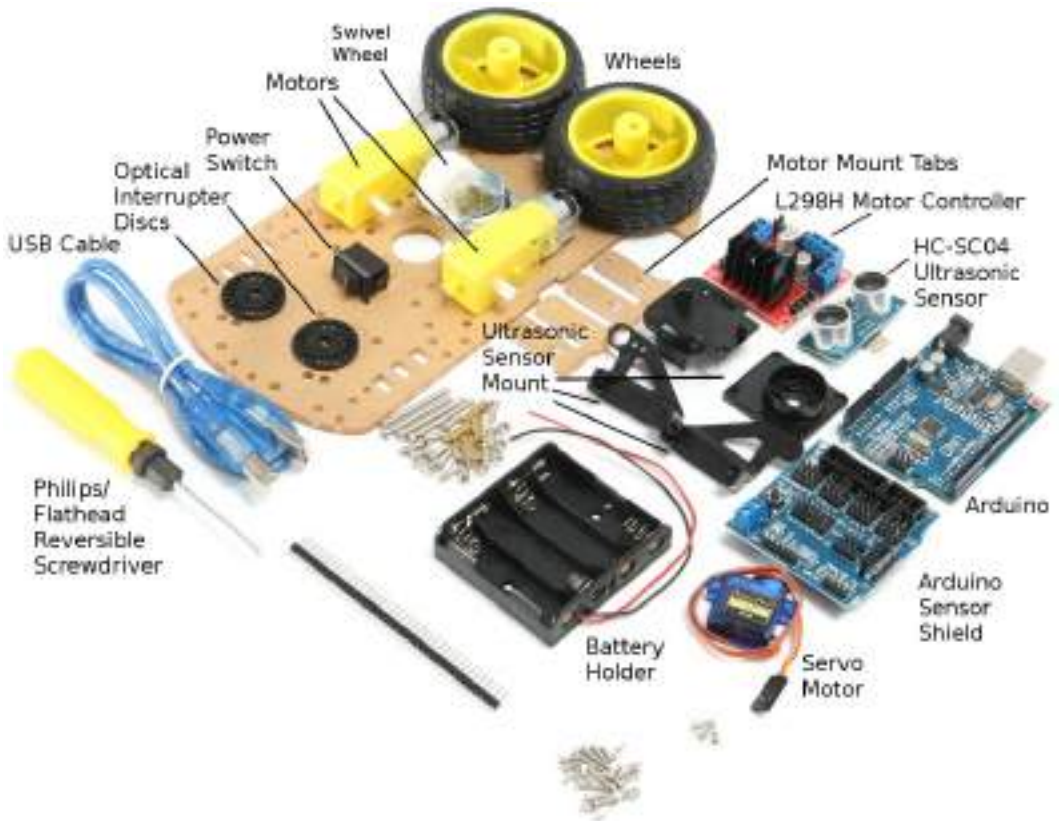
# Assembly Instructions for a Motor Robot Car Kit

## 2WD, L298N Motor driver, HC-SC04 Ultrasonic module, Arduino

Stephen A. Edwards

July 2018





Search for “DIY L298N 2WD” on <http://www.banggood.com>.

## 1 Mount the Swivel Wheel

### Parts Needed

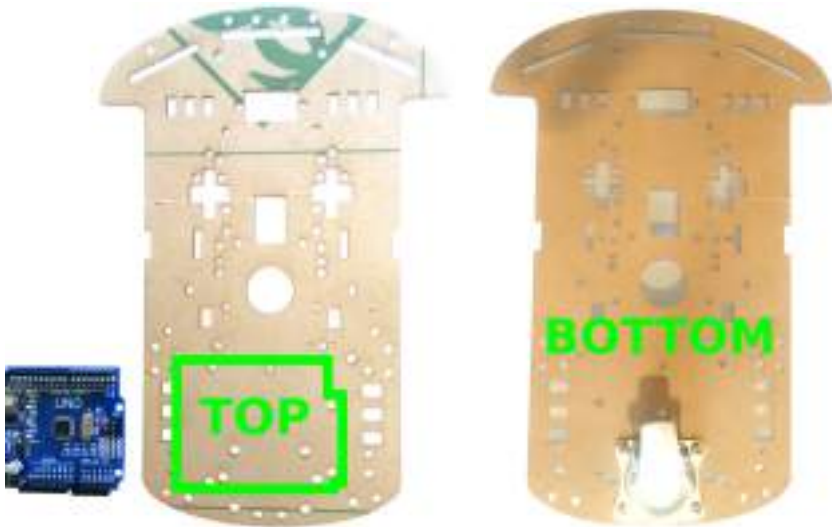
Swivel Wheel

4 × 5 mm M3 screws

4 × M3 nuts



- Determine the top of the baseplate; it is not symmetric. Use the Arduino as a guide.
- Attach the swivel to the **bottom** of the baseplate using the screws and nuts.



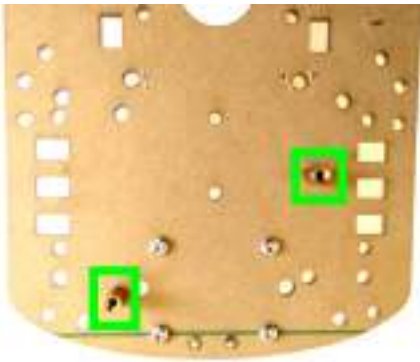
## 2 Mount the Arduino and Sensor Shield

### Parts Needed

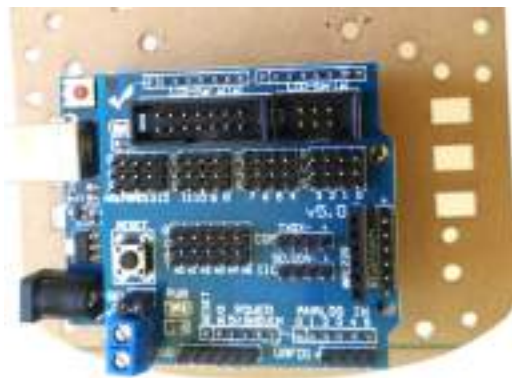
Arduino  
Sensor Shield  
2 × 10 mm M3 spacers  
4 × 5 mm M3 screws



- Connect the two spacers to the **top** of the baseplate using two screws
- Mount the Arduino on the spacers using the other two screws



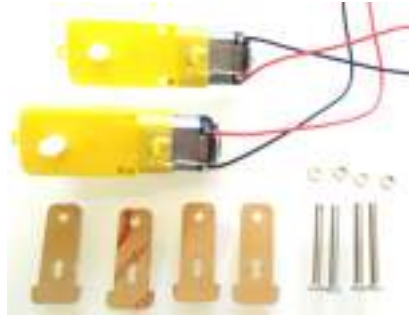
- Mount the Sensor Shield atop the Arduino. Line up the right edges of the boards. Make sure each pin goes in a connector.



### 3 Mount the Motors on the Bottom of the Baseplate

#### Parts Needed

- 2 × motors
- 2 × 10 cm wires, black
- 2 × 10 cm wires, red
- 4 × acrylic tabs
- 4 × 30 mm M3 screws
- 4 × M3 nuts 2 × Wheels



- Solder** one red and one black wire to each motor. Either terminal can be either color.
- Place one tab in a slot **down from the top** of the baseplate, align the motor, and place the other tab on the slot on the side of the baseplate.
- Insert two screws from the outside tab through the motor and inside tab and connect the nuts.



- Repeat the procedure for the other motor
- Mount the wheels on the motors
- (Optional) Attach the optical interruptor discs on the inside axles

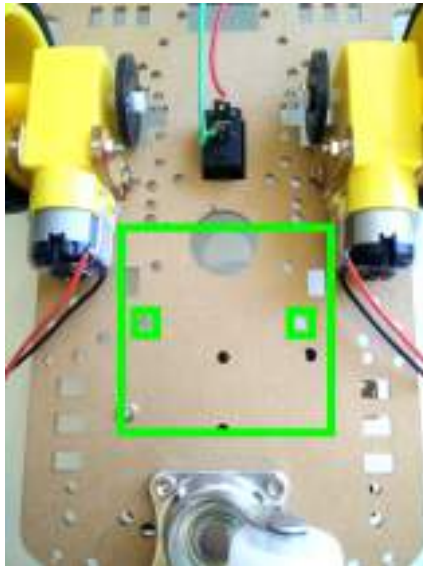
## 4 Mount the Switch, the Battery Holder, and L298N

### Parts Needed

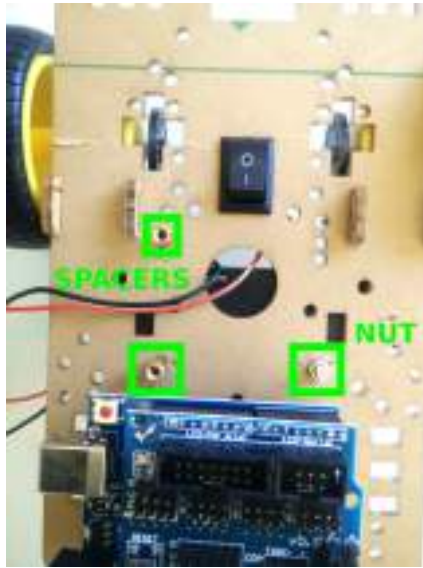
Rocker switch  
L298N board  
Battery holder  
3 × 5 mm M3 screws  
2 × 8 mm countersunk M3 screws  
2 × 10 mm M3 spacers  
1 × M3 nut



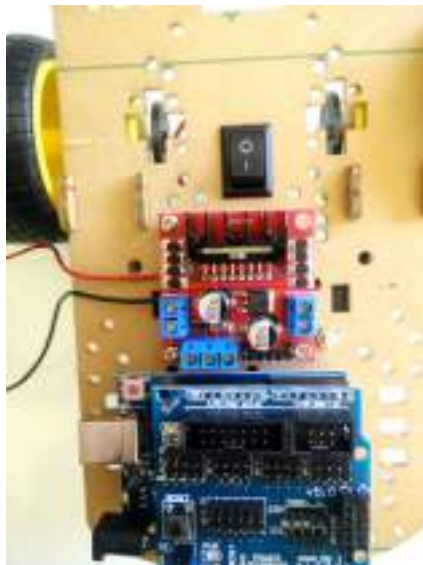
- Insert the switch on the top of the baseplate between the two motors
- Locate the battery holder on the underside of the baseplate just in front of the swivel and insert the two countersunk M3 screws into the leftmost and rightmost holes.



- Connect one of the screws to the M3 nut and the other to a spacer
- Connect the other spacer to the baseplate with a 5 mm M3 screw



- Remove the three jumpers on the L298N board by pulling them up
- Mount the L298N board to the two protruding spacers with the two other 5 mm screws.



## 5 Download the Firmware to Center the Servo

### Parts Needed

Computer  
Servo Motor  
robot-car sketch  
USB cable



- Download and install the Arduino IDE from, e.g., <http://www.arduino.cc/>
- Start the Arduino IDE on your computer.
- Open the “robot-car.ino” sketch (File → Open... → robot-car.ino)
- Make sure Tools → Board → Arduino Uno is selected



- Plug the servo motor connector into the column of pins labeled “11” on the Sensor Shield. Put the orange wire in the “S” row so the brown wire goes in the “G” row.



- Connect the USB cable between your computer and the Arduino
- Make sure a port is selected under Tools → Port
- Click on the “upload” button to compile and send your sketch to the Arduino
- Disconnect the USB cable once the program starts and centers the servo.
- Disconnect the servo connection from the Sensor Shield; we will re connect it later.

## 6 Assemble the Ultrasonic Sensor Mount

### Parts Needed

Ultrasonic sensor base  
Ultrasonic sensor sides  
 $2 \times 3$  mm self-tapping screws  
 $2 \times 7$  mm self-tapping screws  
Servo motor  
 $1 \times 8$  mm pan-head screw  
White two-arm servo connector



- Trim the two arms so they have only 3 holes and their ends are narrow enough to fit in the base.
- Fit the servo arm into the base and attach it with the two 3 mm self-tapping screws.



- Use the panhead screw to attach the servo to the base



- Use the two 7 mm screws to connect the two halves to clamp the servo



- Strap the ultrasonic sensor, pins up, to the mount with two twist ties looped around the two transducers

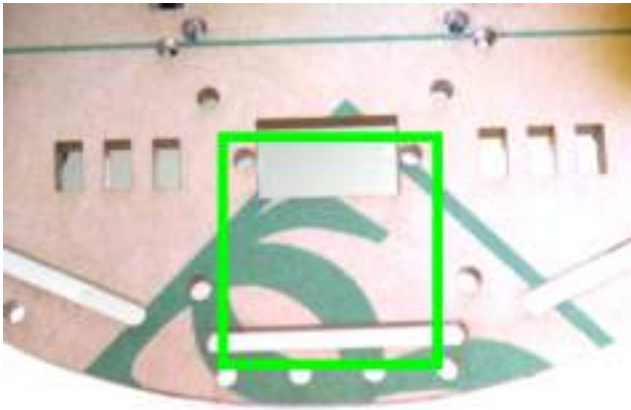


## 7 Attach the Ultrasonic Sensor to the Baseplate

### Parts Needed

4 × 11 mm M1 screws

4 × M1 nuts



- Attach the base of the ultrasonic sensor to the **top** of the baseplate with the screws and nuts.

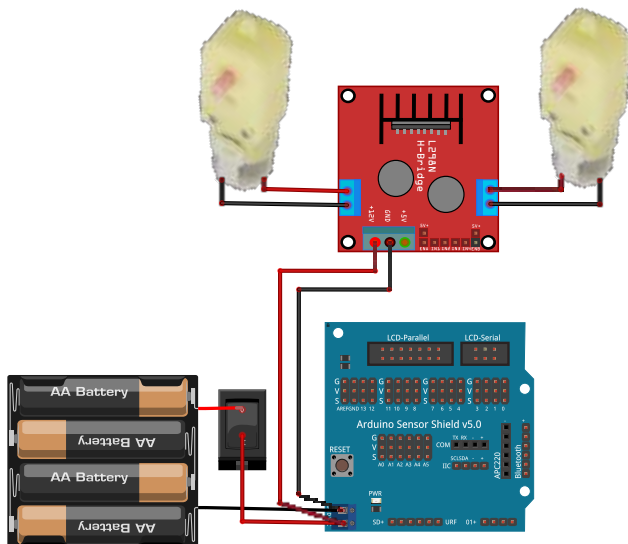


## 8 Connect the power and motor wires

### Parts Needed

- 1 × 20 cm length of wire, red
- 1 × 12 cm length of wire, red
- 1 × 12 cm length of wire, black

- Solder** the red wire from the battery holder to one switch terminal
- Solder** the 20 cm red wire to the other switch terminal
- Connect the two left motor wires to the left connector on the L298N and the two right motor wires to the right connector. Red and black do not matter here; reverse them if the robot goes backwards.
- Connect two 12 cm lengths of wire to the black (ground) wire from the battery holder and the red (power) wire from the power switch.
- Connect the doubled black (ground) wire to the “GND” terminal on the shield.
- Connect the doubled red (power) wire to the “VCC” terminal on the shield.
- Connect the black 12 cm wire from the shield terminal to the middle screw terminal on the L298N.
- Connect the red 12 cm wire from the shield terminal to the left screw terminal on the L298N.





## 9 Connect the Ultrasonic Sensor, Servo, and L298N to the Arduino Sensor Shield

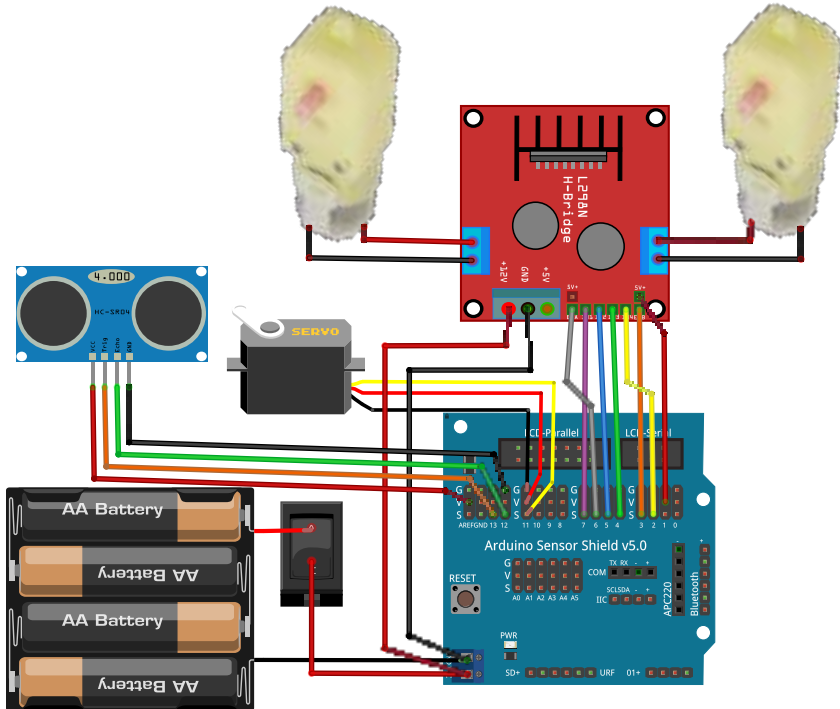
### Parts Needed

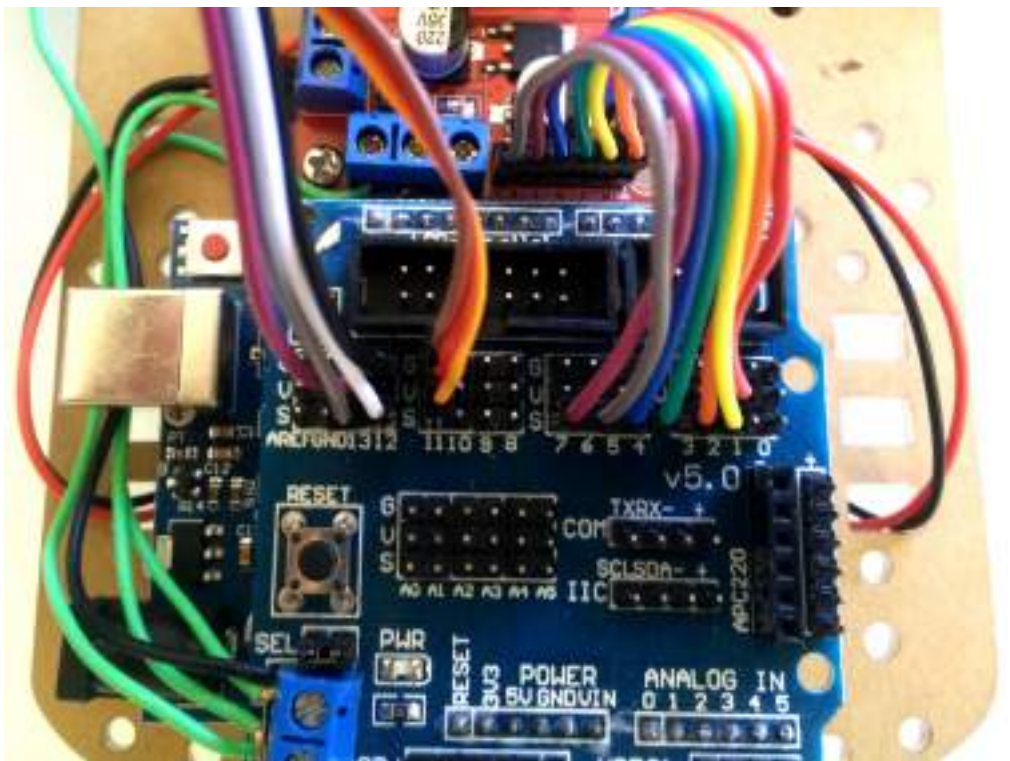
4 × 20 cm female-to-female jumper wires

7 × 10 cm female-to-female jumper wires

20 cm jumpers		3-pin servo cable		10 cm jumpers	
HC-SR04 Pin	Arduino	Servo	Arduino	L298N	Arduino
Gnd	12 G (Ground)	Brown	11 G (Ground)	ENA	6 S
Echo	12 S	Red	11 V (+5V)	IN1	7 S
Trig	13 S	Orange	11 S	IN2	5 S
Vcc	13 V (+5V)			IN3	4 S
				IN4	2 S
				ENB	3 S
				+5V	2 V (+5V)

**Note Arduino pin order**





## 10 Troubleshooting

- Hold the robot off the ground and plug the USB cable between the Arduino and your computer.

You should see power lights on the Arduino, the Sensor Shield, and the L298N motor controller. If you don't see all three lights, check the power wiring.

- Shortly after the robot is turned on or reset, it centers the servo

If the servo does not move, verify you have connected the servo to location 11 and the Orange wire is connected to "S."

If the servo moves but isn't in the center, remove the ultrasonic sensor mount from the board, disconnect the servo from the base, and reattach the servo in the proper location.

- After centering the servo, the robot turns its left wheel forward then backward, then its right wheel forward then backward.

If a wheel turns backwards, reverse its motor's connection to the L298N board (swap the red and black motor wires).

If one wheel turns but not the other, check the motor wiring and the wiring between the Arduino and the L298N.

- Disconnect the robot from the computer, turn off the power switch, and plug in 4 AA batteries to the holder on the bottom. Turn on the power switch.

Again, you should see power lights on all three boards. If not, check the wiring around the battery holder and the switch.

## 11 Software

Below and on the next few pages is the “robot-car.ino” sketch (software) that operates the car. This initial code indicates we will be using a servo motor and defines the pin numbers for the ultrasonic module, the servo motor, and the L298N motor controller.

```
/*  
 * Firmware for the "2WD Ultrasonic Motor Robot Car Kit"  
 *  
 * Stephen A. Edwards  
 *  
 * Hardware configuration :  
 * A pair of DC motors driven by an L298N H bridge motor driver  
 * An HC-SR04 ultrasonic range sensor mounted atop a small hobby servo  
 */  
  
#include <Servo.h>  
Servo servo;  
  
// Ultrasonic Module pins  
const int trigPin = 13; // 10 microsecond high pulse causes chirp, wait 50 us  
const int echoPin = 12; // Width of high pulse indicates distance  
  
// Servo motor that aims ultrasonic sensor.  
const int servoPin = 11; // PWM output for hobby servo  
  
// Motor control pins: L298N H bridge  
const int enAPin = 6; // Left motor PWM speed control  
const int in1Pin = 7; // Left motor Direction 1  
const int in2Pin = 5; // Left motor Direction 2  
const int in3Pin = 4; // Right motor Direction 1  
const int in4Pin = 2; // Right motor Direction 2  
const int enBPin = 3; // Right motor PWM speed control
```

This code controls the two motors. The `go` function directs a particular motor to turn forwards or backwards. For example, `go(LEFT, 255)` turns the left motor full forward; `go(RIGHT, -255)` turns the right motor full reverse. The `in1` and `in2` pins control the direction of the left motor; `in3` and `in4` similarly control the right. The `enA` and `enB` pins control the motor speed by affecting their duty cycle (how much of the time they are on).

```
enum Motor { LEFT, RIGHT };

// Set motor speed: 255 full ahead, -255 full reverse, 0 stop
void go( enum Motor m, int speed)
{
    digitalWrite (m == LEFT ? in1Pin : in3Pin, speed > 0 ? HIGH : LOW );
    digitalWrite (m == LEFT ? in2Pin : in4Pin, speed <= 0 ? HIGH : LOW );
    analogWrite(m == LEFT ? enAPin : enBPin, speed < 0 ? -speed : speed );
}
```

To check your motors work and are not wired backwards, the `testMotors` function cycles the left motor forward then back, briefly passing through 50% speed (128) on the way, then repeats this for the right motor.

```
// Initial motor test :
// left motor forward then back
// right motor forward then back
void testMotors ()
{
    static int speed[8] = { 128, 255, 128, 0 ,
                          -128, -255, -128, 0};
    go(RIGHT, 0);

    for (unsigned char i = 0 ; i < 8 ; i++)
        go(LEFT, speed[i]), delay (200);

    for (unsigned char i = 0 ; i < 8 ; i++)
        go(RIGHT, speed[i]), delay (200);
}
```

This code controls the ultrasonic ranging sensor and servo. The *readDistance* function triggers an ultrasonic “chirp,” causing a pulse on the *trig* pin whose duration indicates how long it took the echo to return. The arithmetic converts the roundtrip time to millimeters.

```
// Read distance from the ultrasonic sensor, return distance in mm  
//  
// Speed of sound in dry air, 20C is 343 m/s  
// pulseIn returns time in microseconds (10^-6)  
// 2d = p * 10^-6 s * 343 m/s = p * 0.00343 m = p * 0.343 mm/us  
unsigned int readDistance ()  
{  
    digitalWrite ( trigPin , HIGH );  
    delayMicroseconds(10);  
    digitalWrite ( trigPin , LOW );  
    unsigned long period = pulseIn( echoPin, HIGH );  
    return period * 343 / 2000;  
}
```

The *readNextDistance* function handles scanning the ultrasonic sensor. It maintains the *distance* array, which remembers how far away the robot things anything is at each of the angles in the *sensorAngle* array. Each time *readNextDistance* is called, it measures and stores the distance reported by *readDistance* then advances the servo to the next angle.

```
#define NUM_ANGLES 7  
unsigned char sensorAngle[NUM_ANGLES] = { 60, 70, 80, 90, 100, 110, 120 };  
unsigned int distance [NUM_ANGLES];  
  
// Scan the area ahead by sweeping the ultrasonic sensor left and right  
// and recording the distance observed. This takes a reading, then  
// sends the servo to the next angle. Call repeatedly once every 50 ms or so.  
void readNextDistance ()  
{  
    static unsigned char angleIndex = 0;  
    static signed char step = 1;  
  
    distance [ angleIndex ] = readDistance ();  
    angleIndex += step;  
    if ( angleIndex == NUM_ANGLES - 1) step = -1;  
    else if ( angleIndex == 0) step = 1;  
    servo . write ( sensorAngle[angleIndex] );  
}
```

The *setup* function runs once when the Arduino turns on or is reset. It sets each pin as either an input or an output, then centers the servo (*servo.write(90);*), turns off the motors, conducts a quick test of the motors, and does an initial scan of the surroundings with the ultrasonic sensor.

```
// Initial configuration
//
// Configure the input and output pins
// Center the servo
// Turn off the motors
// Test the motors
// Scan the surroundings once
//
void setup () {
  pinMode(trigPin, OUTPUT);
  pinMode(echoPin, INPUT);
  digitalWrite ( trigPin , LOW);

  pinMode(enAPin, OUTPUT);
  pinMode(in1Pin, OUTPUT);
  pinMode(in2Pin, OUTPUT);
  pinMode(in3Pin, OUTPUT);
  pinMode(in4Pin, OUTPUT);
  pinMode(enBPin, OUTPUT);

  servo . attach ( servoPin );
  servo . write (90);

  go(LEFT, 0);
  go(RIGHT, 0);

  testMotors ();

  // Scan the surroundings before starting
  servo . write ( sensorAngle[0] );
  delay (200);
  for (unsigned char i = 0 ; i < NUM_ANGLES ; i++)
    readNextDistance (), delay (200);
}
```

Finally, here are the main rules governing the robot's behavior. The *loop* function is called repeatedly after *setup* has run. It uses *readNextDistance* to take the next a sonar reading and update the *distance* array, then checks whether any reading in the *distance* array indicates an object is too close. Any close-by object makes the robot back up and turn to the left by turning on the left motor more than the right, otherwise, it turns on both motors full forward. The delay at the end of this function limits this process to about 20 times a second.

```
// Main loop:
//
// Get the next sensor reading
// If anything appears to be too close, back up
// Otherwise, go forward
//
void loop() {
  readNextDistance ();

  // See if something is too close at any angle
  unsigned char tooClose = 0;
  for (unsigned char i = 0 ; i < NUM_ANGLES ; i++)
    if ( distance [i] < 300)
      tooClose = 1;

  if (tooClose) {
    // Something's nearby: back up left
    go(LEFT, -180);
    go(RIGHT, -80);
  } else {
    // Nothing in our way: go forward
    go(LEFT, 255);
    go(RIGHT, 255);
  }

  // Check the next direction in 50 ms
  delay (50);
}
```